

DL-1585-E11/DL-1585L-E11

8" Incandescent Surface Cylinders

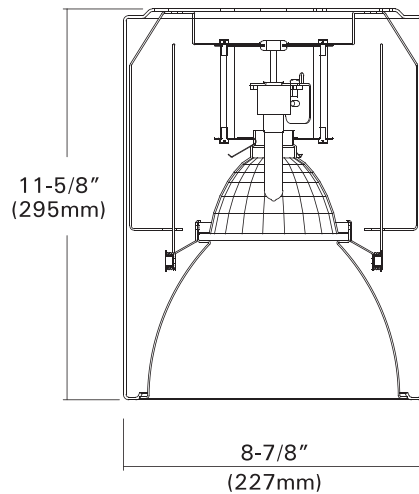
Catalog #		Type
Project		Date
Prepared by		

INCANDESCENT

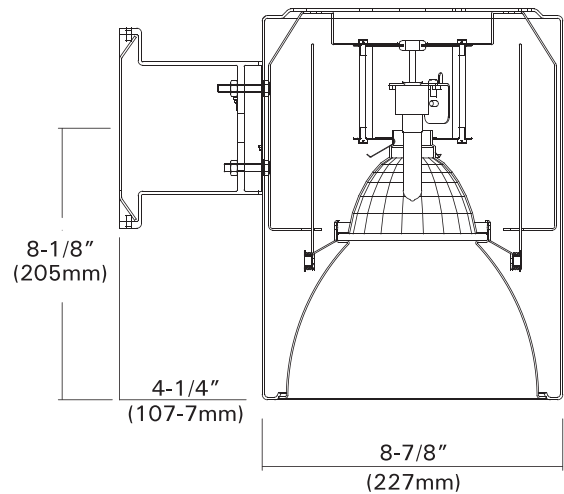


DESCRIPTION

Seamless round cylinder housings, in white, matte black finish with choice of reflector types and finishes allows customizing of lighting effects. Wall and pendant mount options offer additional installation flexibility.



Ceiling Mount
DL-1585-E11



Wall Mount
DL-1585L-E11

DESIGN FEATURES

◦ Reflector

- Anodized clear, Semi-Matte, gold, champagne, pewter color finished full reflectors. Also available anodized reflectors with black or white milled groove baffle collar.

◦ Housing

- Round seamless .060 thick spun aluminum, housing available in semi-matte white, black or bronze finish.

◦ Socket Cup

- Heat sink aluminum cup, vertically adjustable multiple lampholder position for various size of lamps.

◦ Socket

- E11(Mini-Can) base porcelain socket with nickel plated brass screw shell.

◦ Wall Bracket (DL-1585L-E11)

- Aluminum casted bracket secured to housing cross-bar by set screws.

* Listing

- cCSA-us certified.

* Lamp : T4 E11 (250W)

Ordering Information

Cat No.	Finish	Reflector Finish
DL-1585-E11 DL-1585L-E11	-WH : White -BK : Black	-CL : Clear -GD : Gold -MA : Matte -CP : Champagne -HC : Haze Clear -MA : Matte Platinum -WB : White Baffle Collar -BB : Black Baffle Collar

Example : DL-1585E11250-WH-CL